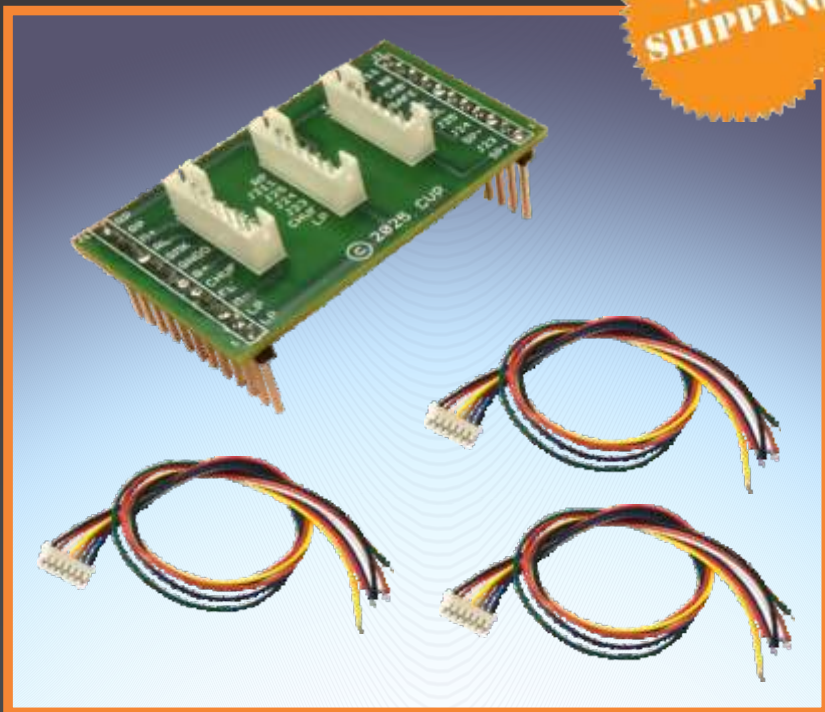


AIRWIRE®

NEW!

NOW
SHIPPING



AD23 DCC/RC PLUG

- ▶ Fits locos with DCC/RC socket
- ▶ Easy installation
- ▶ Access all 23 pins
- ▶ Includes 3 wiring harnesses
- ▶ Wires are stripped and tinned
- ▶ Use with any 3rd party decoder

www.cvpusa.com

Since
1974

AIRWIRE AND AIRWIRE900 ARE REGISTERED TRADEMARKS OF CVP PRODUCTS

J1 and J2 Header Pins To Wire Sockets

Use this worksheet to record your hookup of the various wires to your DCC decoder. The Function or name is based on the NMRA-DCC RP for Large Scale Sockets. Only the functions on J1 are the same for most brands of locomotives having a DCC/RC socket.

The functions shown for the J2 header are for the Bachmann Dash 9 diesel locomotive. If your locomotive is different, consult the manufacturers documentation to determine what function has been assigned, if any.

Any unused wires can be trimmed once your wiring is completed and verified.

J1C Pin Number	J1C Harness Wire Color	Connects To	Function or Name	Your Hookup
7	Brown	J1 Pin 10	Motor +	
6	Red	J1 Pin 9	Rear Headlite	
5	Orange/Brown	J1 Pin 8	Smoke Generator	
4	Yellow	J1 Pin 7	Decoder GND	
3	Green	J1 Pin 6	Decoder V+	
2	Cyan	J1 Pin 4	Front Headlite	
1	Magenta	J1 Pin 3	Motor -	

J2C Pin Number	J2C Harness Wire Color	Connects To	*Typical Function	Your Hookup
7	Brown	J2 Pin 10	# Boards	
6	Red	J2 Pin 9	Cab Lite	
5	Orange/Brown	J2 Pin 8	Safety Lites	
4	Yellow	J2 Pin 7	RDL	
3	Green	J2 Pin 6	LDL	
2	Cyan	J2 Pin 3	Speaker -	
1	Magenta	J2 Pin 1	Speaker +	

J3C Pin Number	J3C Harness Wire Color	Connects To	*Typical Function	Your Hookup
7	Brown	J1 Pin 11,12	RR	
6	Red	J2 Pin 11	J211	
5	Orange/Brown	J2 Pin 5	J25	
4	Yellow	J2 Pin 4	J24	
3	Green	J2 Pin 2	J23	
2	Cyan	** J1 Pin 5	J15	
1	Magenta	J1 Pin 1,2	LR	

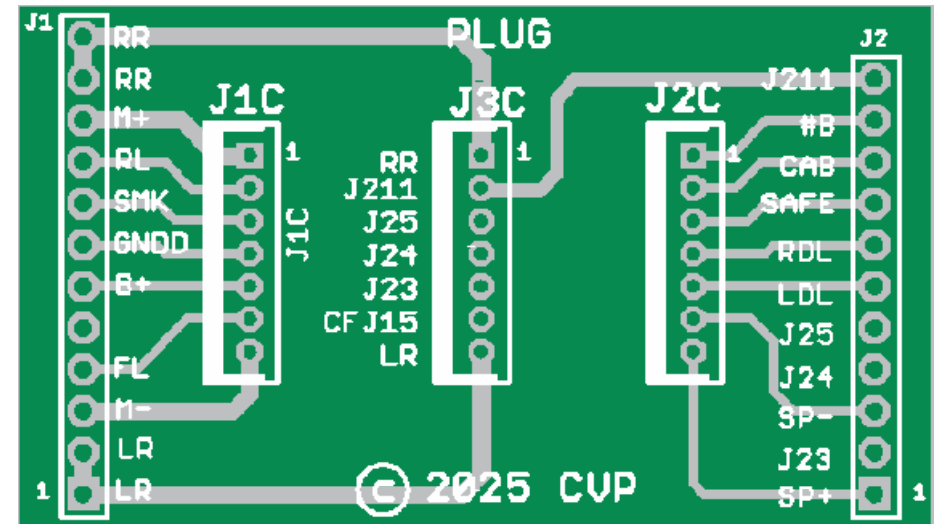
* Function depends on the locomotive and its DCC/RC socket definitions.

** The silkscreen has a typo. It should say J15.

** For Bachmann steam locomotives this is the chuff trigger signal.

AirWire900[®]

AD23 Plug For DCC/RC Sockets



3 Wiring Harnesses Included



AIRWIRE[®] 900

CVP Products
www.cvpusa.com

Package Contents
AD23 Plug (Long Pins)
Three Wire Harness Pigtails
Package Insert

For use with factory installed
RC/DCC socket found in
Bachmann and Aristocraft
locomotives - steam and
diesel.