

CVP's 4th Generation AirWire900® Motion Decoder

The G4X™

**More Protection
More Reliable
More Control**



**More Features
More Simplicity
More Outputs**

- Works with all AirWire900® throttles
- Works with all battery packs
- 120 Watt protected motor drive
- Two Cruise-control modes
- Compatible with DCC sound decoders
- Super-precision motor drive
- Based on NMRA-DCC Standards
- 8 Lighting Outputs with Special Effects
- Two Built-In Phoenix Coupler Drivers

**AIRWIRE®
900**

Many New Features and Capabilities

Long Range Receiver

High Sensitivity
17 Selectable Frequencies
3.5" Whip Antenna

Customized Performance

Many Different Features
Easy To Select or Change
Stored Internally

Silent Motor Drive

24KHz Pulse Power
120 Watts of Power
Fully Protected

Auxiliary DCC Output

3 AMPS Continuous
Fully Protected

8 Lighting Outputs

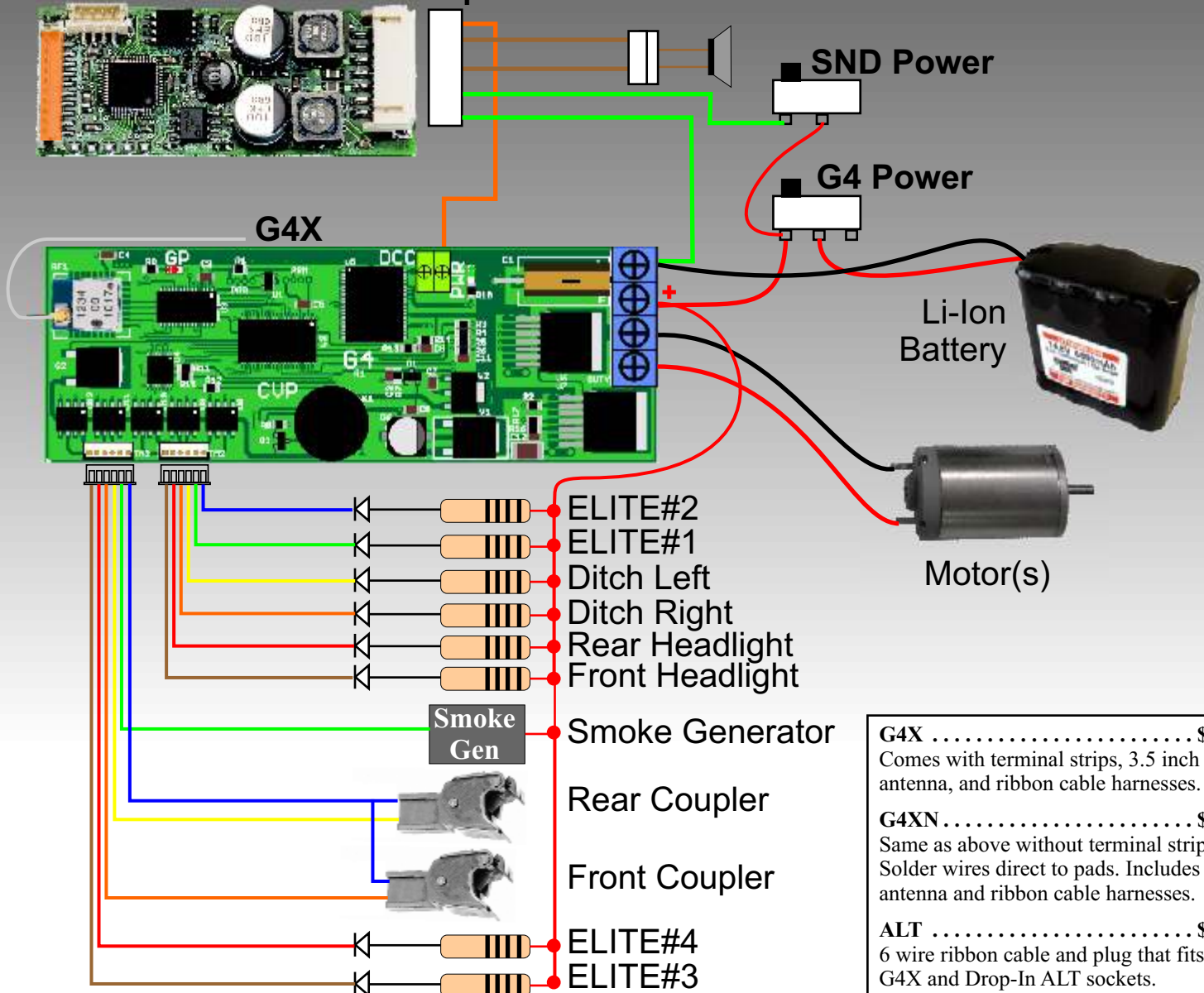
1 AMP Each
Each With Special Effects

2 Coupler Outputs

For Phoenix Couplers
No Extra Boards Needed

G4 Decoder Hookup Diagram

Phoenix P8 Sound Module†



G4X \$159*
Comes with terminal strips, 3.5 inch whip antenna, and ribbon cable harnesses.

G4XN \$156*
Same as above without terminal strips. Solder wires direct to pads. Includes antenna and ribbon cable harnesses.

ALT \$ 4*
6 wire ribbon cable and plug that fits the G4X and Drop-In ALT sockets.

Available Direct Or From Your AirWire900 Dealer

*Suggested List Price

† Any NMRA-DCC compliant sound decoder can be used

G4, AirWire, AirWire900 And The AirWire Symbol Are Registered Trademarks Of CVP Products